

Description

BP2364XN is a high precision non-isolated APFC buck LED driver, specially designed for universal mains with constant current control. BP2364XN operates in Critical Conduction Mode to reduce the switching loss and optimize the EMI.

BP2364XN remove the VCC capacitor, COMP capacitor and R_{CS} resistor to simplify the external BOM. And it utilizes specific current detection with fast thermal shutdown to enhance high inrush current protection, as well as temperature protection and anti-surge.

BP2364XN offers full of protection functions to improve the system reliability, including LED load short protection. The system reliability is further improved by the current limit protection. The current limit protection reduces the LED current in condition of over temperature.

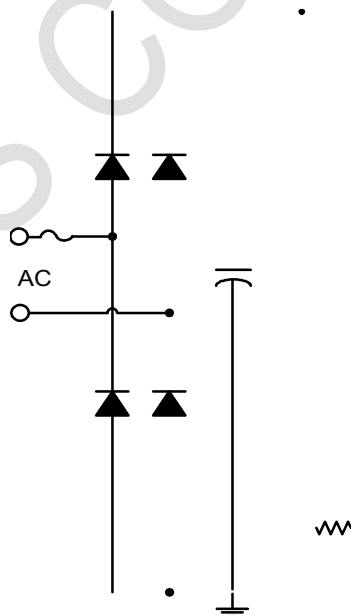
Features

- Active-PFC for High PF and Low THD
- No VCC and COMP capacitor
- Critical Conduction Mode Operation
- Short Protection
- (OVP resistor ADJ)
- Switch Enable function is compatible with and sensor light
- Cycle by Cycle Current Limit
- Available in ASOP8 Package

Applications

- LED Bulb
- LED Tube
- Other LED Light

Typical Application



BP2364XN

1.1 ADFG Buck LED Driver

XN

Typical R_{ds(on)}

Method	Marking
Package Type Pcs/Reel	BP2364 XXXXXN XXXXXX

Disclaimer

The information provided in this datasheet is believed to be accurate and reliable. However, Bright Power Semiconductor (BPS) does not warrant or make any representation, either expressed or implied, in writing or otherwise, that the information contained in this datasheet is error-free or that the information is suitable for use in any particular application. BPS provides information in this datasheet on "AFC" and with all faults and makes no warranty, expressed or implied, in writing or otherwise, that the information provided in this datasheet is suitable for use in any particular application, or for a specific purpose, or non-infringement of intellectual property rights of BPS or any other third party. BPS is not liable for consequential or incidental damages.

BPS CONFIDENTIAL