

# BP6211B

## Fast Turn-Off Synchronous Rectifier for CCM/DCM Flyback Converter

### esc io

e BF B i  
 f-bia sy  
 )SFE teg  
 lace e s  
 cien nd j  
 BF 1B  
 le ( 4),  
 duct mc  
 Mi nab  
 off eed  
 off ay.  
 ter l rir  
 fals r tu  
 ter d t u  
 nta urn  
 n d ay i  
 ov effie  
 62 1B  
 re quir  
 e nectif  
 er app  
 utput  
 113 is

### Features

integration,  
 ith a 60 V  
 ers. It can  
 for higher  
 conduction  
 continuous  
 st operation  
 e and faster  
 ultra-short  
 vents the IC  
 operations.  
 revents an  
 Ultra-short  
 uction time

- Integrated 60V / 14m MOSFET
- Adaptive gate drive and faster turn-off speed
- Supports DCM, QR and CCM operations
- Ringing detection prevents false turn-on in DCM
- Supports low-side and high-side rectification
- Self-biased and no need for auxiliary winding for high-side rectification
- Supports wide output voltage range down to 0V
- 4 A sink gate driver prevent false turn-on by the miller effect
- Ultra-short turn-on delay, increase MOSFET conduction time, optimize efficiency
- Low quiescent current
- Compatible with energy efficiency regulations

### Applications

- QC, USB-PD and PPS AC-DC Chargers
- High Efficiency Adaptors
- High Efficiency and Power Density Flyback Converters

### polica

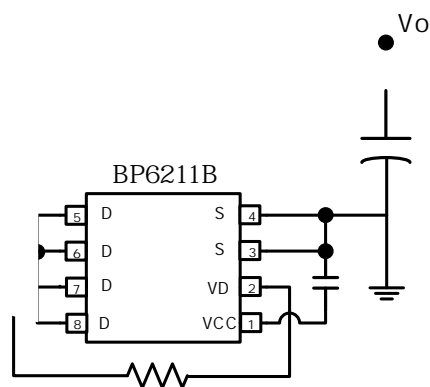


Figure 1. BP6211B Typical Application



# BP6211B

## Fast Turn-Off Synchronous Rectifier for CCM/DCM Flyback Converter

### Ordering Information

Part Number	Package	Packing	Marking
BP6211B	SOP-8	Tape & Reel 4,000 pcs/Reel	BP6211B XXXXXY ZZZZWWX

### Pin Configuration and Marking Information

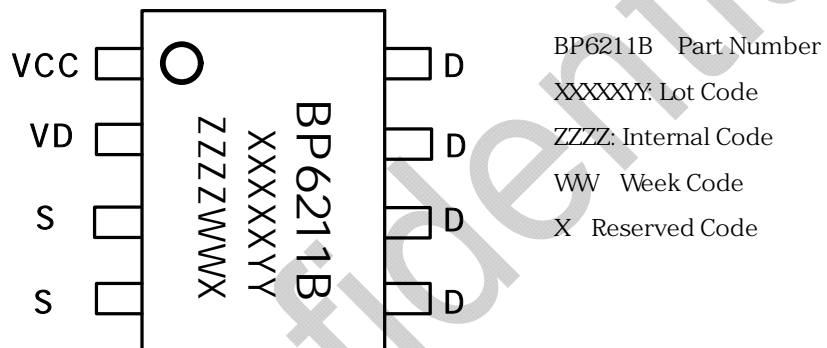


Figure 2. SOP-8 Pin Configuration

### Pin Functions

Pin NO.	Pin Name	Description
1	VCC	Linear regulator output. VCC is the supply of the BP6211B.
2	VD	MOSFET drain voltage sensing. VD is also used as the linear regulator input.
3 4	S	MOSFET source. S is also used as a reference for VCC.
5 6 7 8	D	MOSFET drain.

BPS Confid



||